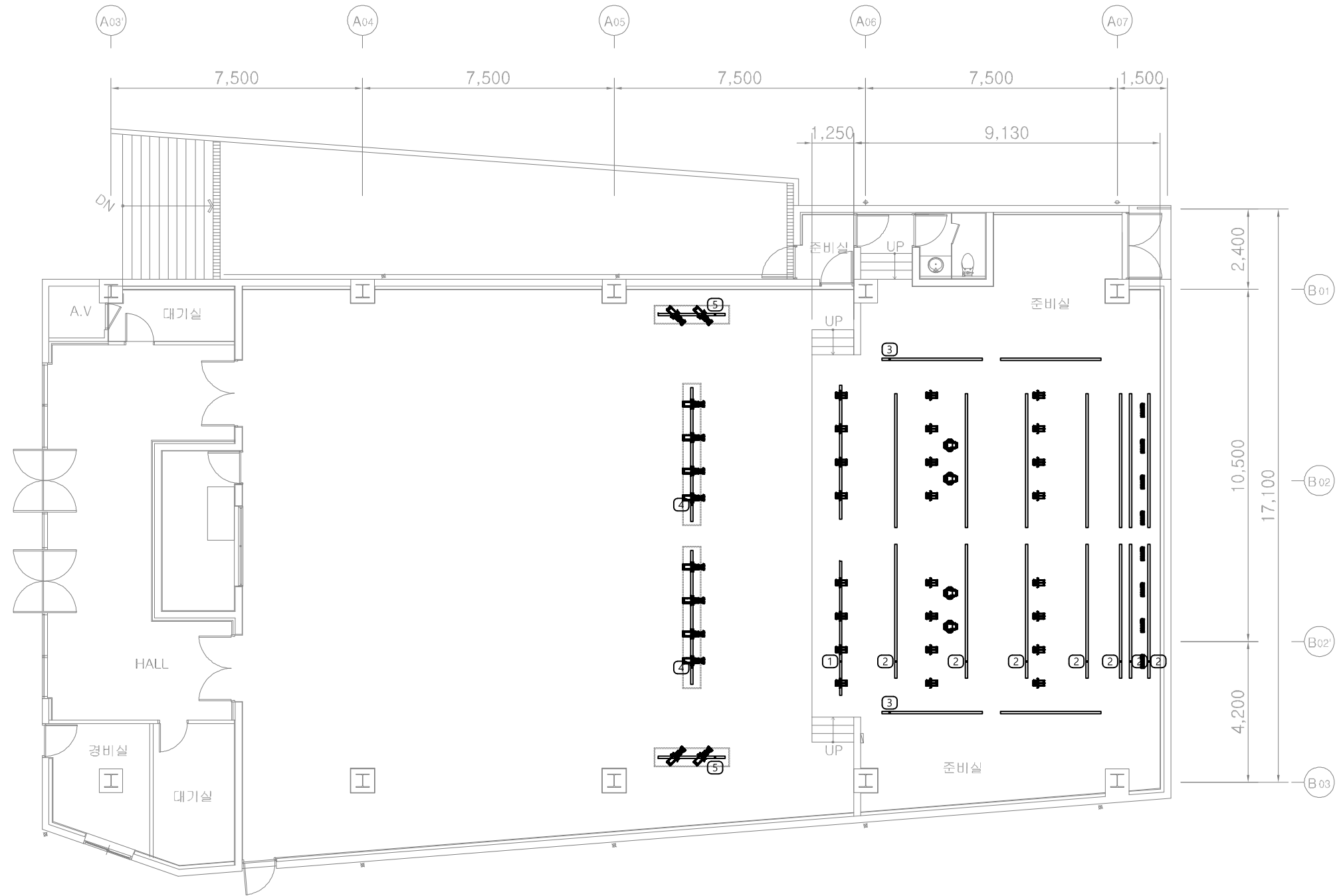


**사상구 다누림센터 다누림홀
무대조명장치 구매설치**

- 준공도면 -

2022. 11.

사상구 다누림센터



NO	DESCRIPTION	SPECIFICATION	Q'TY	CIRCUIT	REMARKS
				DMX	
1	APRON LIGHT FLY DUCT	XLR 5P 1EA추가	2 SET	2	
2	SUSPENSION LIGHT FLY DUCT	XLR 5P 1EA추가	7 SET	7	
3	STAGE SIDE LIGHT FLY DUCT	XLR 5P 1EA추가	2 SET	2	
4	CEILING LIGHT FLY DUCT	XLR 5P 1EA추가, DMX CABLE REEL 1SET추가	2 SET	2	
5	FRONT SIDE LIGHT FLY DUCT	XLR 5P 1EA추가	2 SET	2	
6	STAGE WALL POCKET	XLR 5P 1EA	2 SET	2	
7	DMX SPLITTER BOX	1IN 8OUT SPLITTER-2SET, PATCH PLATE	1 SET		
8	CONNECTOR BOX	220V , XLR 5P 2EA	1 SET		
9	DIRECT POWER PANEL	MCCB 4P 225AF/200AT, 2P 30AF/20AT - 96EA	1 SET		
	LIGHTING FIXTURE				
	LED SPOT LIGHT	RGBAL LED 126W	24 SET		
	LED ELLIPSOID LIGHT	RGBAL LED 216W	12 SET		
	LED CYC LIGHT	RGBAL LED 137W	8 SET		
	LED MOVING LIGHT	LED 290W, 3.8° ~55°	4 SET		

1 무대조명장치 배치도-상부
축척 :1/150

REMARK

△			
△			
△			
△			
△			

REV NO.	DESCRIPTION	DATE	APP.
---------	-------------	------	------

CHECKED BY	APPROVED BY
------------	-------------

DRAWING BY	DESIGNED BY
------------	-------------

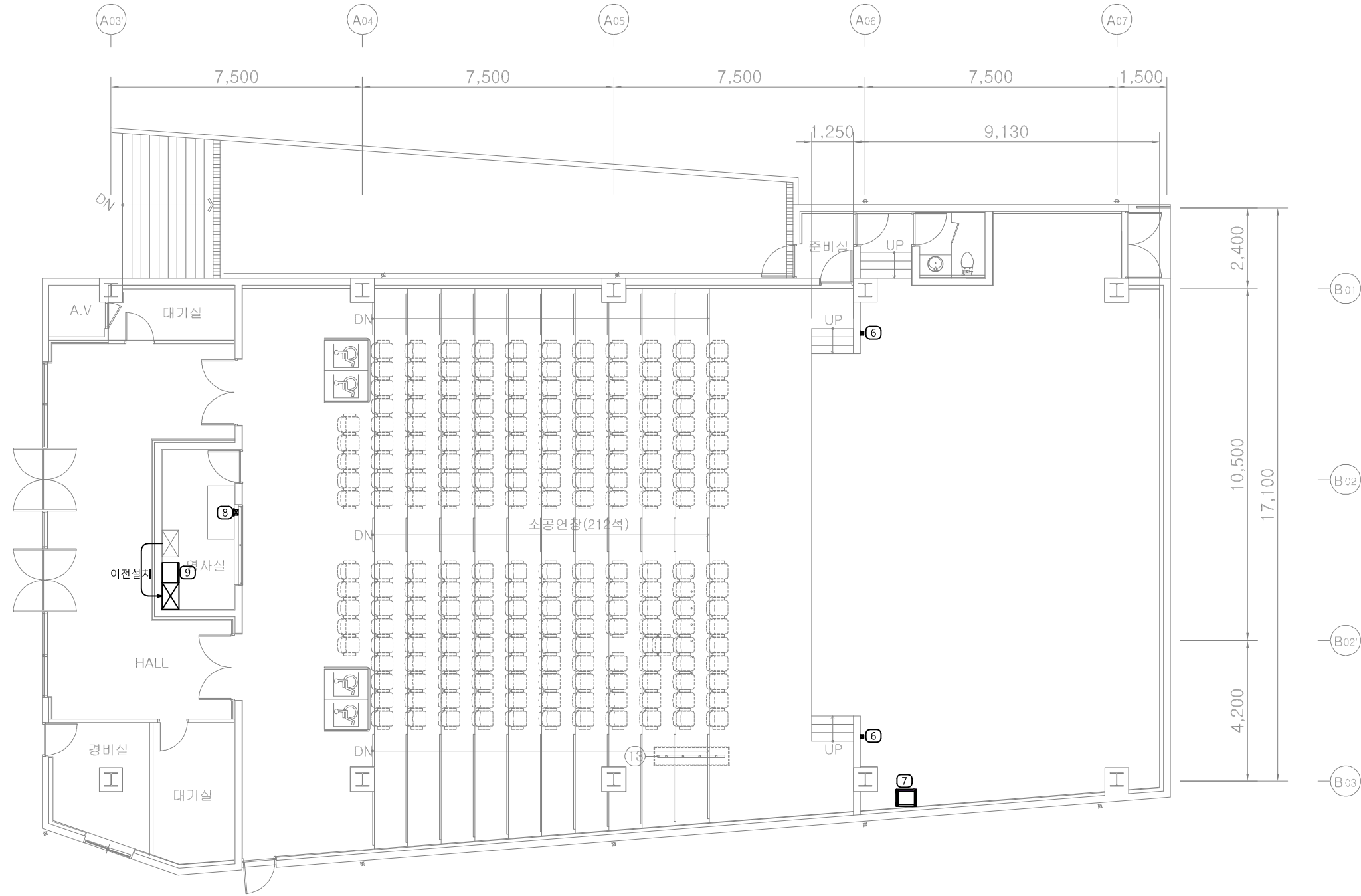
PROJECT BY
무대조명장치 구매설치

DRAWING TITLE
**다누림홀
무대조명장치 배치도-상부**

DATE 2022. 05.	SCALE A1 : 1 / 75 A3 : 1 / 150
-------------------	--------------------------------------

DRAWING NO
DA - SL - 001

사상구 다누림센터



NO	DESCRIPTION	SPECIFICATION	Q'TY	CIRCUIT	REMARKS
				DMX	
1	APRON LIGHT FLY DUCT	XLR 5P 1EA추가	2 SET	1	
2	SUSPENSION LIGHT FLY DUCT	XLR 5P 1EA추가	7 SET	7	
3	STAGE SIDE LIGHT FLY DUCT	XLR 5P 1EA추가	2 SET	2	
4	CEILING LIGHT FLY DUCT	XLR 5P 1EA추가, DMX CABLE REEL 1SET추가	2 SET	2	
5	FRONT SIDE LIGHT FLY DUCT	XLR 5P 1EA추가	2 SET	1	
6	STAGE WALL POCKET	XLR 5P 1EA	2 SET	2	
7	DMX SPLITTER BOX	1IN 8OUT SPLITTER-2SET, PATCH PLATE	1 SET		
8	CONNECTOR BOX	220V, XLR 5P 2EA	1 SET		
9	DIRECT POWER PANEL	MCCB 4P 225AF/200AT, 2P 30AF/20AT - 96EA	1 SET		
	LIGHTING FIXTURE				
	LED SPOT LIGHT	RGBAL LED 126W	24 SET		
	LED ELLIPSOID LIGHT	RGBAL LED 216W	12 SET		
	LED CYC LIGHT	RGBAL LED 137W	8 SET		
	LED MOVING LIGHT	LED 290W, 3.8° ~55°	4 SET		

1 무대조명장치 배치도-상부
축척 :1/150

REMARK

△			
△			
△			
△			
△			

REV NO.	DESCRIPTION	DATE	APP.
---------	-------------	------	------

CHECKED BY	APPROVED BY
------------	-------------

DRAWING BY	DESIGNED BY
------------	-------------

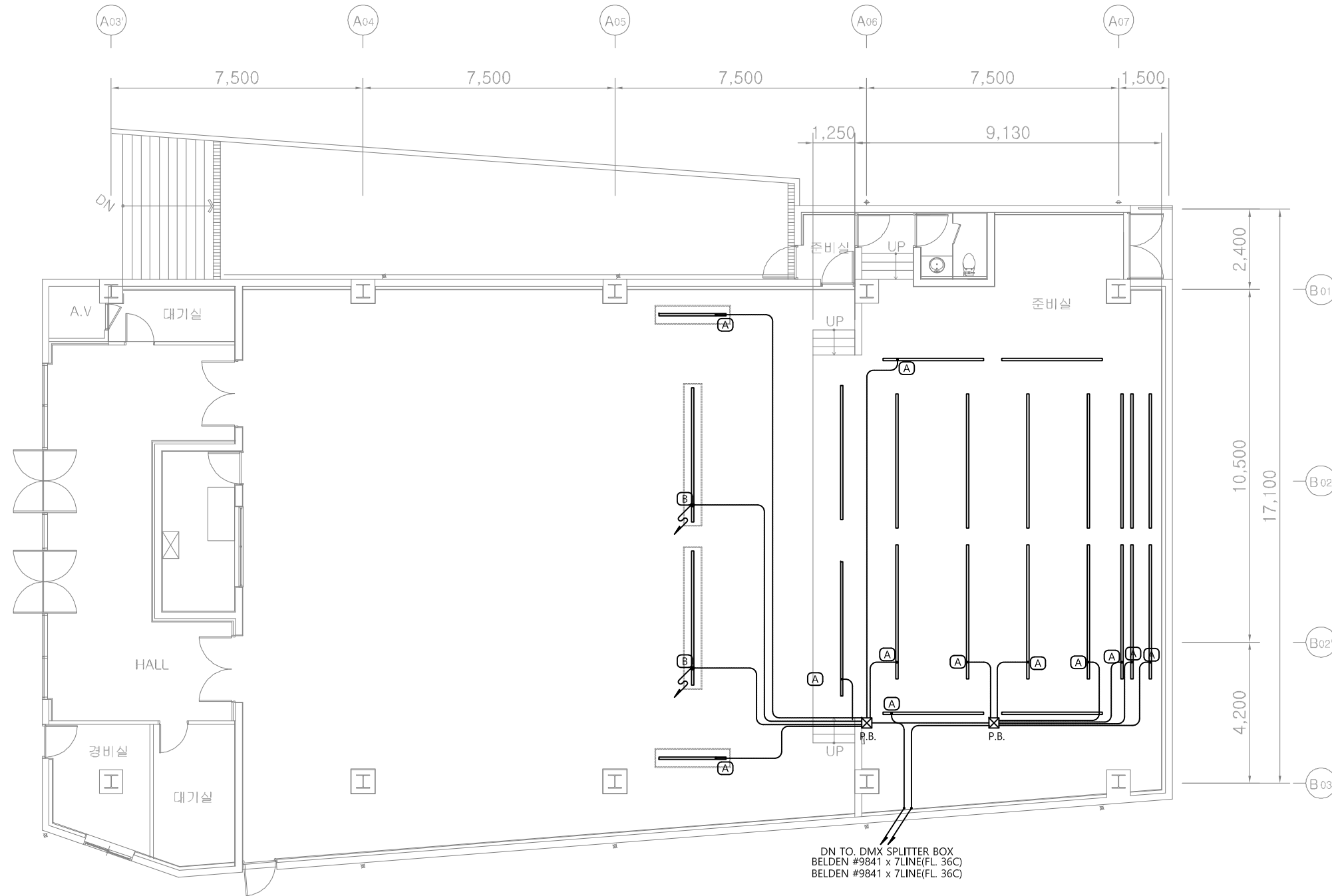
PROJECT BY	무대조명장치 구매설치
------------	-------------

DRAWING TITLE	다누림홀 무대조명장치 배치도-상부
---------------	-----------------------

DATE	2022. 05.	SCALE	A1 : 1 / 75 A3 : 1 / 150
------	-----------	-------	-----------------------------

DRAWING NO	DA - SL - 002
------------	---------------

사상구 다누림센터



NOTE	
(A)	FROM, DMX SPLITTER BOX BELDEN #9841 x 1LINE (FL. 16C)
(B)	FROM, DMX SPLITTER BOX BELDEN #9841 x 1LINE (FL. 16C) DMX CABLE REEL

REMARK

△			
△			
△			
△			
△			

REV NO.	DESCRIPTION	DATE	APP.

CHECKED BY	APPROVED BY
------------	-------------

DRAWING BY	DESIGNED BY
------------	-------------

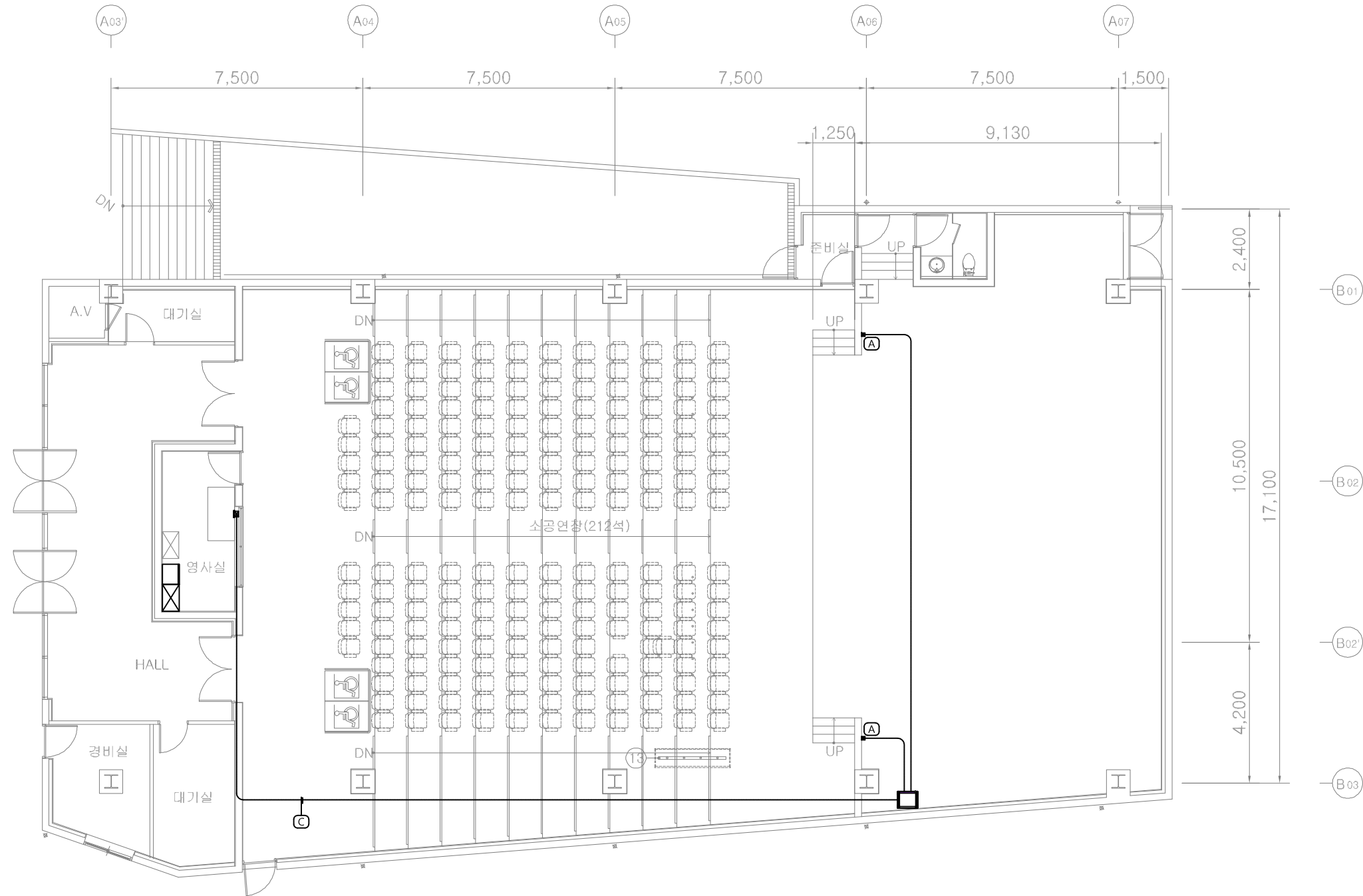
PROJECT BY
무대조명장치 구매설치

DRAWING TITLE
**다누림홀
무대조명장치 배관배선도-상부**

DATE 2022. 05.	SCALE A1 : 1 / 75 A3 : 1 / 150
-------------------	--------------------------------------

DRAWING NO
DA - SL - 003

사상구 다누림센터



NOTE	
(A)	FROM. DMX SPLITTER BOX BELDEN #9841 x 1LINE (FL. 16C)
(C)	FROM. CONNECTOR BOX BELDEN #9841 x 2LINE (FL. 22C) POWER CABLE

REMARK

△			
△			
△			
△			
△			

REV NO.	DESCRIPTION	DATE	APP.

CHECKED BY	APPROVED BY
------------	-------------

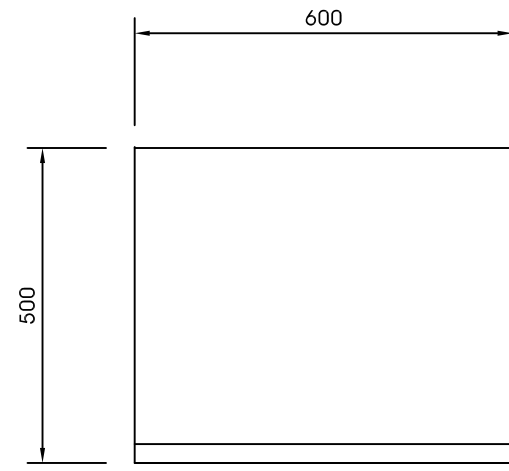
DRAWING BY	DESIGNED BY
------------	-------------

PROJECT BY
무대조명장치 구매설치

DRAWING TITLE
**다누림홀
무대조명장치 배관배선도-하부**

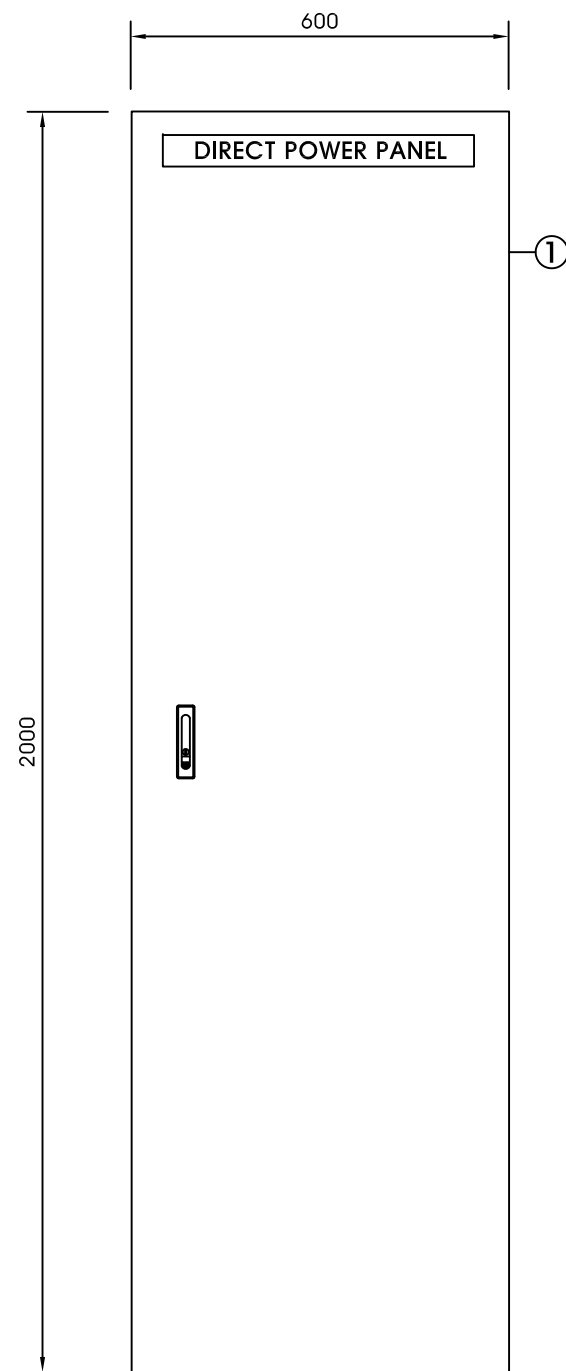
DATE 2022. 05.	SCALE A1 : 1 / 75 A3 : 1 / 150
-------------------	--------------------------------------

DRAWING NO
DA - SL - 004

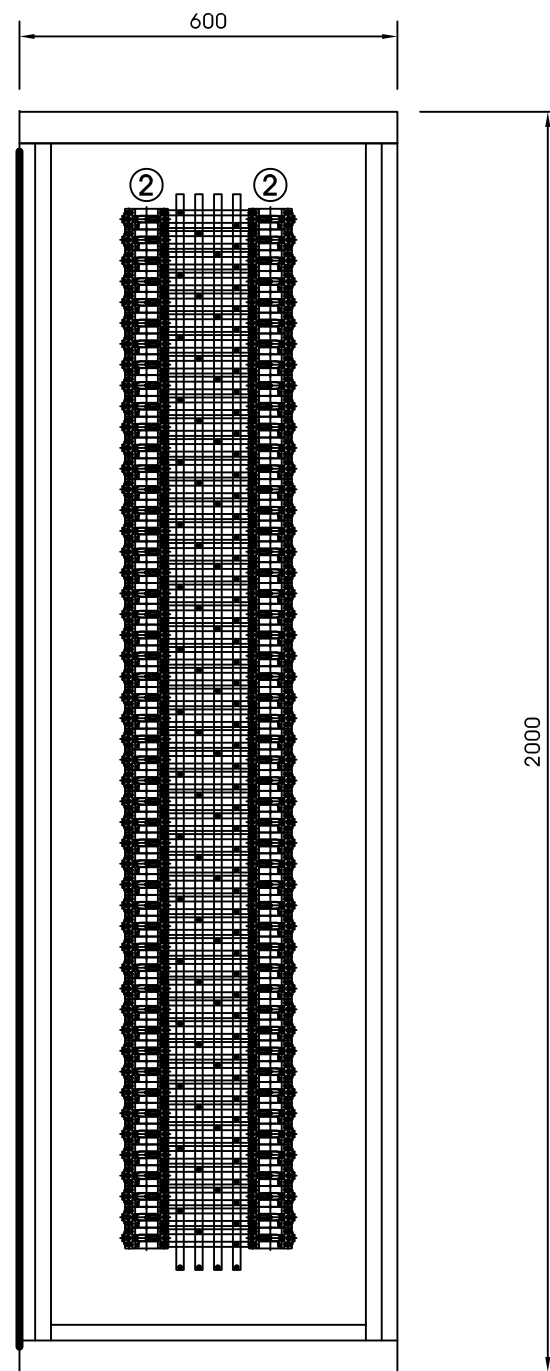


TOP VIEW

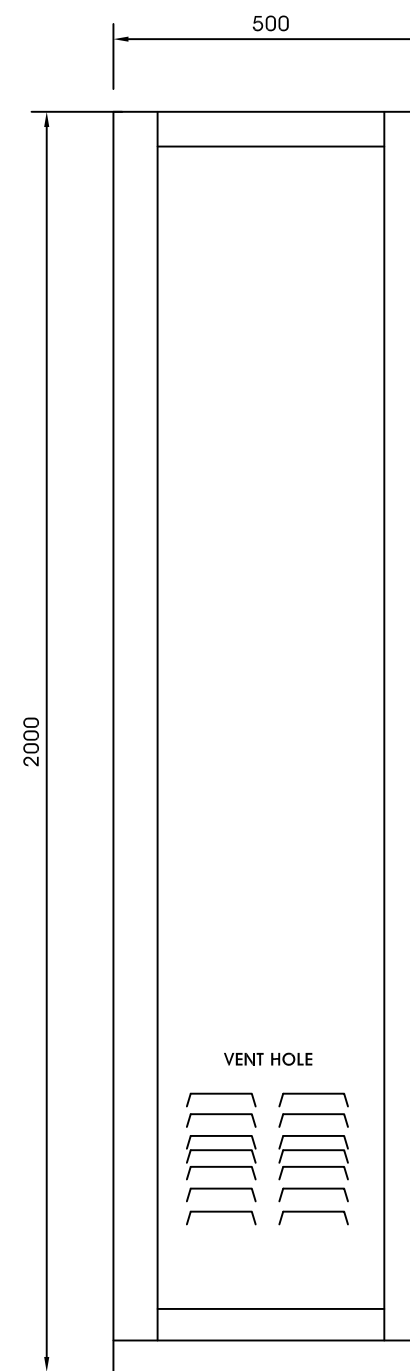
NO	DESCRIPTION	SPECIFICATION	Q'TY
①	PANEL 외함	ST. 600Wx2,000Hx500Dx2.0t	1면
②	MAIN MCCB	2P 30AF/20AT	100EA



OUTSIDE VIEW(DOOR CLOSE)



INSIDE VIEW(DOOR OPEN)



SIDE VIEW

REMARK

△			
△			
△			
△			
△			

REV NO.	DESCRIPTION	DATE	APP.

CHECKED BY _____ APPROVED BY _____

DRAWING BY _____ DESIGNED BY _____

PROJECT BY

무대조명장치 구매설치

DRAWING TITLE

다누림홀
DIRECT POWER PANEL

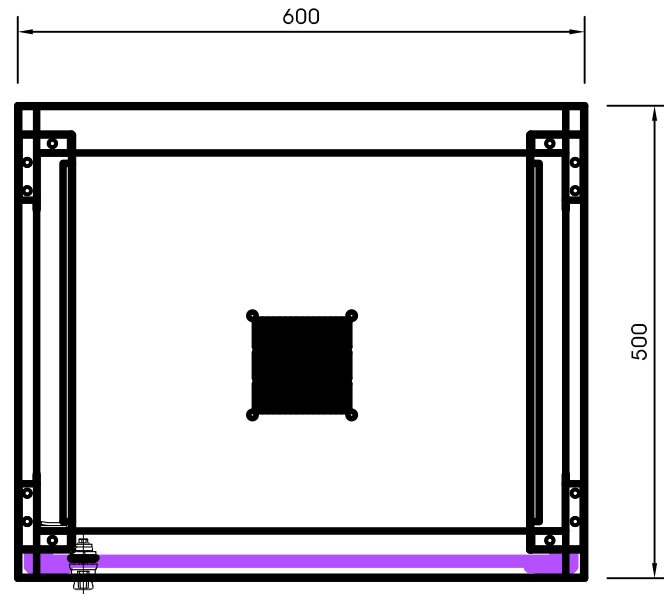
DATE 2022. 05. SCALE A1 : 1 / 6
A3 : 1 / 12

DRAWING NO

DA - SL - 005

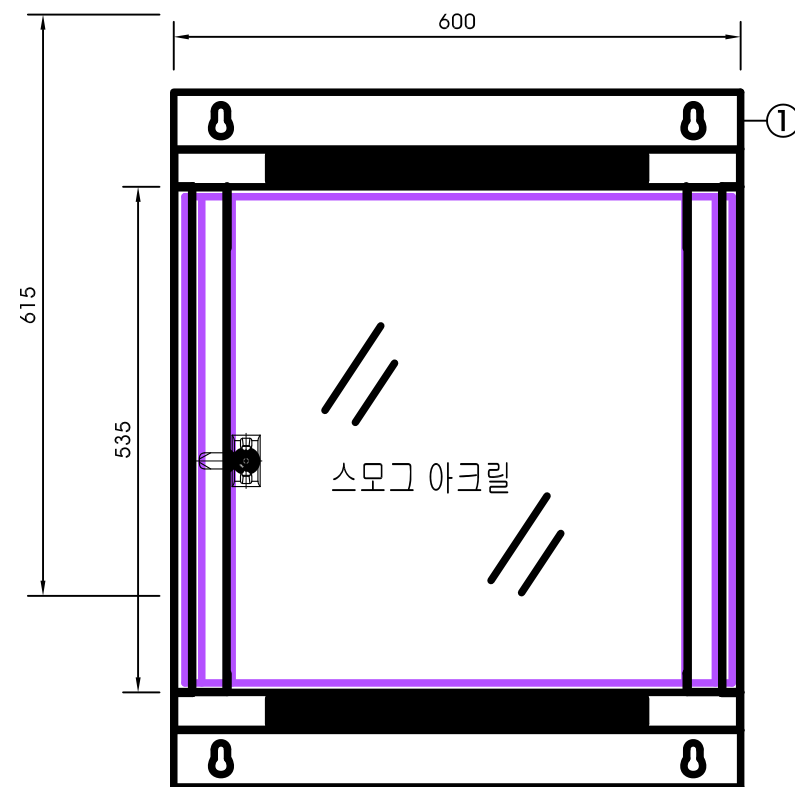
사상구 다누림센터

REMARK

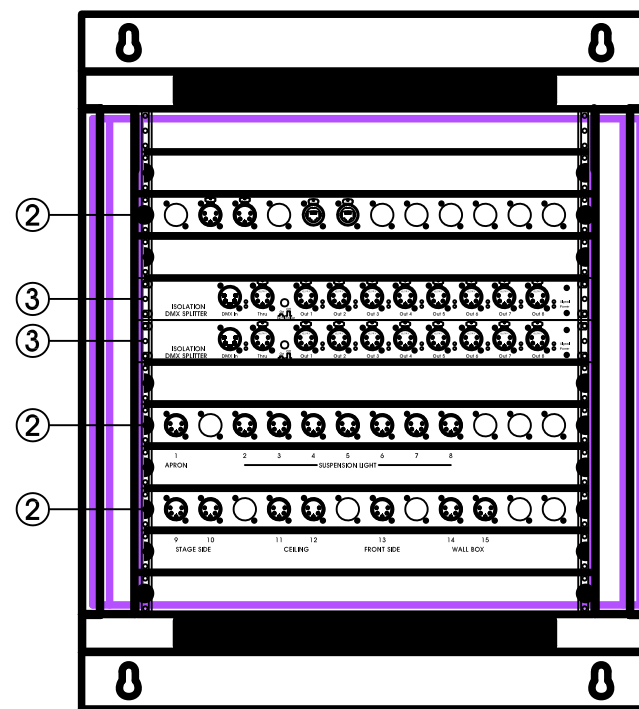


TOP VIEW

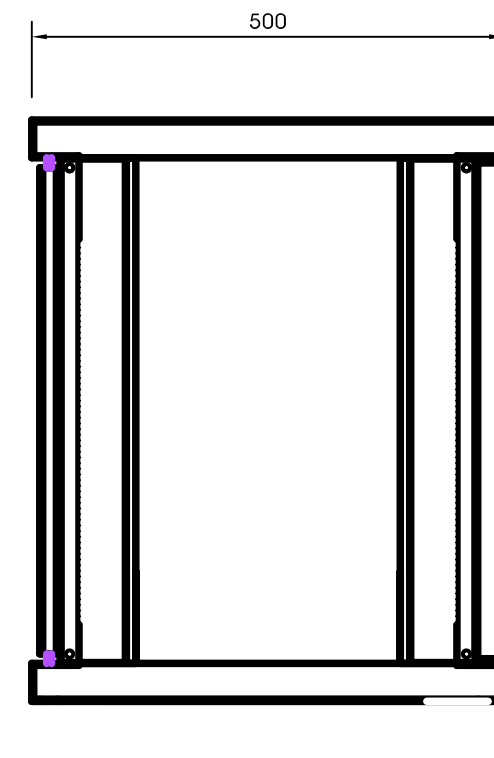
NO	DESCRIPTION	SPECIFICATION	Q'TY
①	RACK	19인치 600Wx670Hx500D	1면
②	PATCH PLATE	XLR 5P	3EA
③	DMX SPLITTER	1ON 8OUT	2EA



OUTSIDE VIEW(DOOR CLOSE)



INSIDE VIEW(DOOR OPEN)



SIDE VIEW

△			
△			
△			
△			
△			

REV NO.	DESCRIPTION	DATE	APP.

CHECKED BY _____ APPROVED BY _____

DRAWING BY _____ DESIGNED BY _____

PROJECT BY

무대조명장치 구매설치

DRAWING TITLE

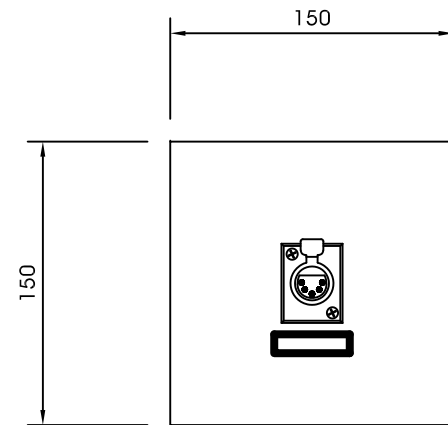
다누림홀
DMX SPLITTER BOX

DATE 2022. 05. SCALE A1 : 1 / 4
A3 : 1 / 8

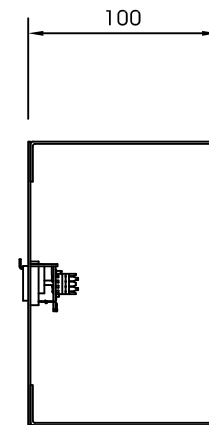
DRAWING NO

DA - SL - 006

REMARK

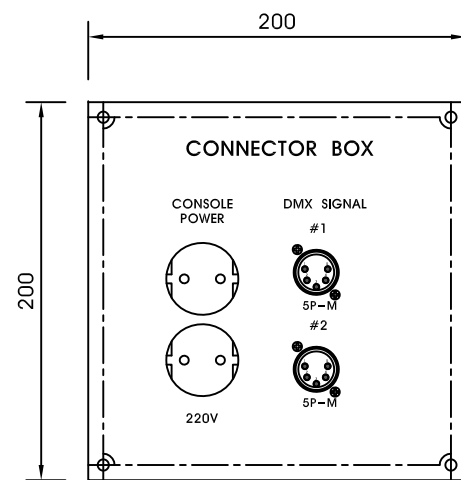


FRONT VIEW

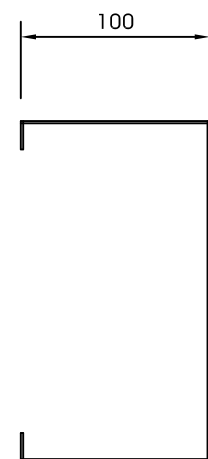


SIDE VIEW

CONNECTOR BOX



FRONT VIEW



SIDE VIEW

CONNECTOR BOX

△			
△			
△			
△			
△			

REV NO.	DESCRIPTION	DATE	APP.

CHECKED BY	APPROVED BY

DRAWING BY	DESIGNED BY

PROJECT BY	무대조명장치 구매설치
------------	-------------

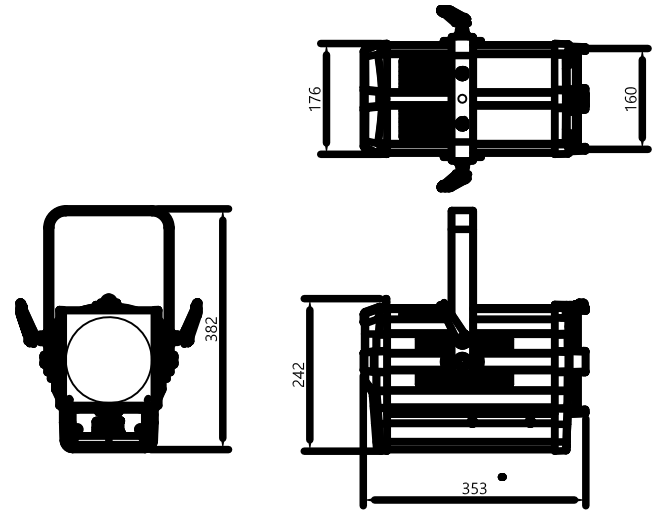
DRAWING TITLE	다누림홀 CONTROL EQUIPMENTS
---------------	----------------------------

DATE	2022. 05.	SCALE	A1 : 1 / 2 A3 : 1 / 4
------	-----------	-------	--------------------------

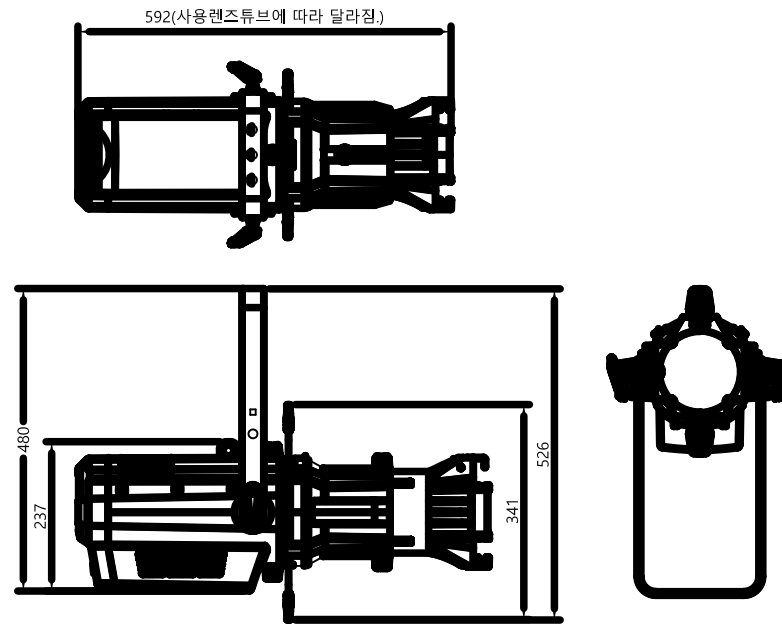
DRAWING NO	DA - SL - 007
------------	---------------

REMARK

LED SPOT LIGHT



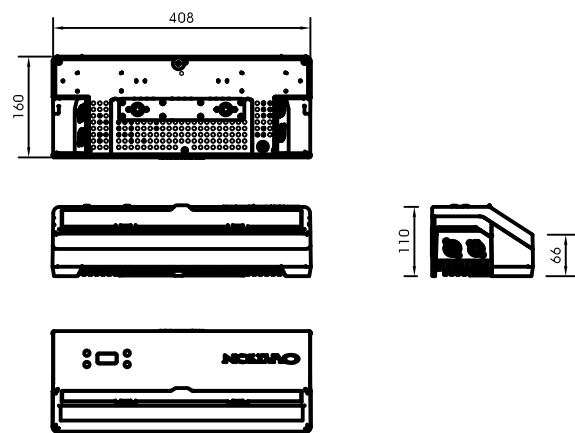
LED ELLIPSOID LIGHT



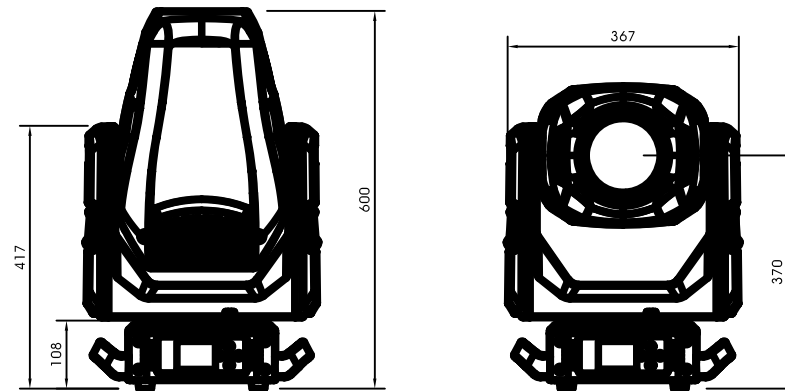
MATERIAL	Aluminum die-cast	COLOR	RGBAL mixing
LEDs	46 x 3~5W LEDs	PAINTING	BLACK
LED LIFE	50,000 hr	POWER	126W
ANGLE	14°-68°		

MATERIAL	Aluminum die-cast	COLOR	RGBAL mixing
LEDs	91 x 3W LEDs	PAINTING	BLACK
LED LIFE	50,000 hr	POWER	216W
ANGLE	26°		

LED CYC LIGHT



LED MOVING LIGHT



MATERIAL	Aluminum die-cast	PLUG	C-TYPE 3P 30A
LED	60 LEDs	PAINTING	BLACK
COLOR	RGBAL COLOR MIXING		
색온도	2800K ~ 6500K		

POWER	100V / 240V 50/60Hz	DMX CH	48CH
LAMP	290W ULTRA BRIGHT	PAN/TILT	540° -251°
LED LIFE	50,000 hours	BEAM ANGLE	3.8° - 55°
COLOR	CMY , CTO-lineay	WEIGHT	22.7kg

△			
△			
△			
△			
△			

REV NO.	DESCRIPTION	DATE	APP.
---------	-------------	------	------

CHECKED BY	APPROVED BY
------------	-------------

DRAWING BY	DESIGNED BY
------------	-------------

PROJECT BY
무대조명장치 구매설치

DRAWING TITLE
다누림홀
LIGHTING FIXTURE

DATE	2022. 05.	SCALE	A1 : 1 / NS A3 : 1 / NS
------	-----------	-------	----------------------------

DRAWING NO
DA - SL - 008